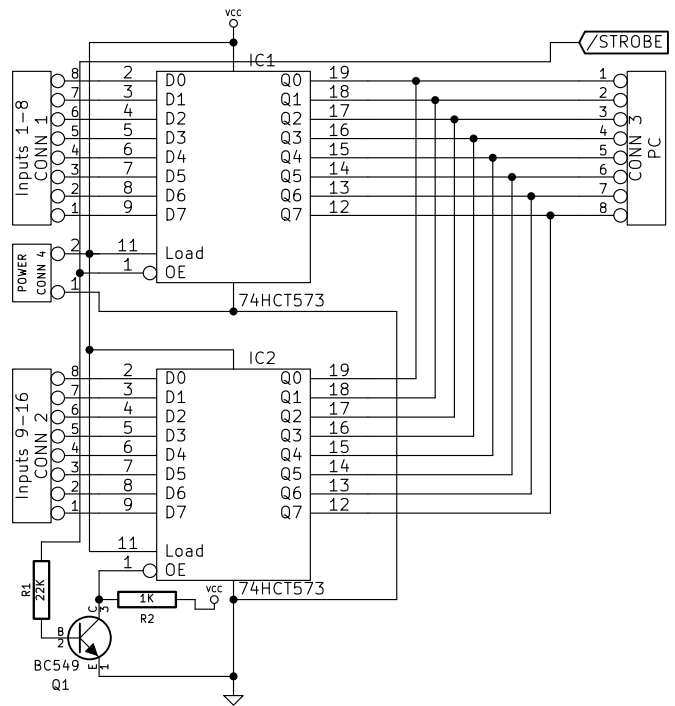
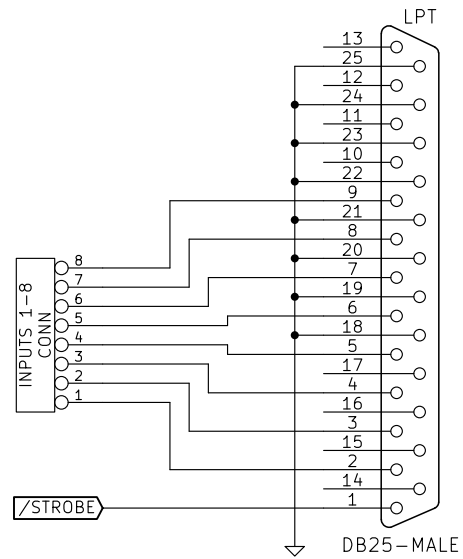


OmberTech	
File: Logic Visualiser LPT Buffer.sch	
Sheet: /	
Title: Logic Visualiser LPT Buffer	
Size: A4	Date: 26 jul 2018
KiCad E.D.A.	Rev: 1.0
	Id: 1/1



OmberTech	
File: Simple PC 16 channel buffer.sch	
Sheet: /	
Title: Simple PC 16 Channel Signal Buffer	
Size: A4	Date: 26 jul 2018
KiCad E.D.A.	Rev: 1.0
	Id: 1/1



OmberTech	
File: TFLA-16 LPT Functions.sch	
Sheet: /	
Title: TFLA-16 LPT Functions Pinout	
Size: A4	Date: 25 jul 2018
KiCad E.D.A.	Rev: 1.0
	Id: 1/1